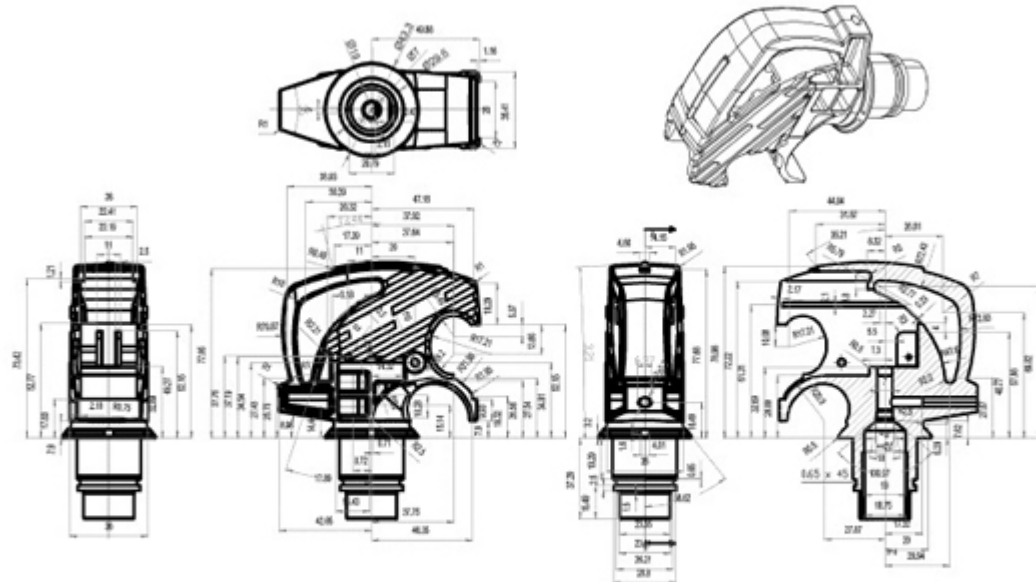


Detailed mold drawing:

Home >> Products >> Drawings >> Detailed mold drawing

10-10-12MSd



Attention dimensions given on this drawing are to be obtained on the plastic parts of production. The manufacturer of tool must take account of the shrinking to obtain the final value indicate on the plastic part drawing.

Weight: 122?g.

VALVE BODY		Alpha Protec Belgien
		PMMA (POLYMETHACRYLATE)
		PSMGE-01-01

Product description:

we have professional mold engineer to do the drawing, every drawing is precise and can make production more smooth and be of high precision. We pay a lot of attention to detail and believe that detail is the life of product. We are also glad to make the products according to your drawing and will do our bit to make it best. Your satisfactory is our purpose.

Company information:

Company Name:

NINGBO TUODA PALSTIC CO.,LTD.

Website:<http://www.tdindustry.com/>

Address:

I Building,Shangyang Road,Dongqian Lake town,Ningbo Zhejiang China.315121

Post-code:315040

Contact Person:Mr.Tom Ying

Phone:

Telephone:+86 574 82817881

Fax:+86 574 83001856

Mobile Phone:13805881615

Email:

tom@tuodaplastic.com